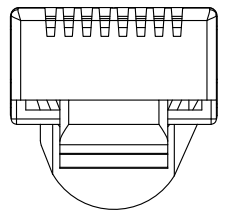
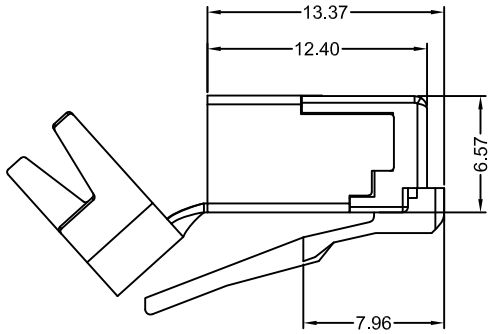
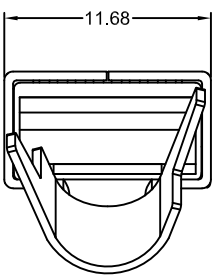
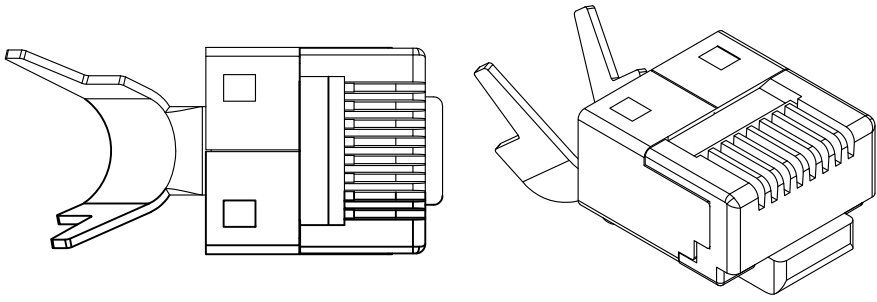
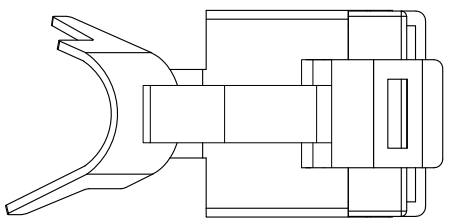
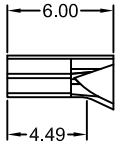
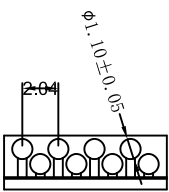


記號 MARK	ECN NO.	日期 DATE	修改 DRAW	核准 APPROVE

印章



FEATURES:
 1 Electrical Test:
 A. Safety Voltage/Current Rating 150V ac, at 1.5A.
 B. Dielectric with standing 1000V/DC/min, <0.5A.
 C. Insulation Resistance:>500MΩ, 1000V./min
 D. Contact Resistance:<20MΩ
 2 Mechanical:
 A. Cable-to-Plug tensile strength-20LBs (89N)min.
 B. Durability:750 mating cycles.
 3 Operation Temperature:-40℃~+85℃.
 4. Environmental compliance
 A. the products are compliant with the RoHS, and REACH ETC.
 5. Safety standards:UL E239590



Coorle Technology

BLADE:	202	304	309	311	314	319	
Drawing							
Mark							
BLADE:	203/204	209/210	307/308	312/313			
Drawing							
Mark							

<input checked="" type="checkbox"/> 屏蔽壳 Shell	<input checked="" type="checkbox"/> 黄铜 Brass	<input type="checkbox"/> 铁 Spcc	1
Au: <input type="checkbox"/> G/F" <input type="checkbox"/> 1u" <input type="checkbox"/> 3u" <input checked="" type="checkbox"/> Ni <input checked="" type="checkbox"/> 80u"			
胶壳 PC(聚碳酸酯) <input type="checkbox"/> 94-V0 <input type="checkbox"/> 94-V2			1
金片 (PIN针) Contacts	<input checked="" type="checkbox"/> 黄铜 Brass	<input type="checkbox"/> 磷铜 Phosphor copper	8
<input type="checkbox"/> G/F" <input type="checkbox"/> 1u" <input type="checkbox"/> 3u" <input checked="" type="checkbox"/> 6u" <input type="checkbox"/> 15u" <input type="checkbox"/> 30u" <input type="checkbox"/> 50u" <input type="checkbox"/> OTHER			

品名规格 DESCRIPTION	FTP 8P8C 短体 模 带燕尾			页次 SHEET	1/1	
产品编号 PRODUCT NO	单位 UNIT	mm	比例 SCALE	1:1	版本 EDITI	A/1
DIMENSION IN mm(Inch) TOLERANCE UNLESS OTHERWISE SPECIFIED	第三视角法 THIRD ANGLE PROJECTION		制图 DRAWN	日期 DATE	2024. 6. 21	
x.xx ±0.2	ANGLES		核对 CHECK	日期 DATE	2024. 6. 21	
x.xx ±0.10	<input checked="" type="checkbox"/> ±0°		批准 APPRO	日期 DATE	2024. 6. 21	
x.xxx ±0.050	<input checked="" type="checkbox"/> ±0.0°					

